

# Technical data sheet

## Wide span cable ladder WKLG 160 FT SOMY

Item number: 7189040



Wide span cable ladder with perforated side rail of side height of 160 mm. Fastening of cables with clamp clip, type 2056.  
Straight connectors of type WRV 160 should be ordered separately and in the appropriate quantity.  
Magnetic shield insulation without cover 10 dB, with cover 15 dB.



- St** Steel
- FT SO** Hot-dip galvanised 85 µm

### Master data

Item number	7189040
Type	WKLG 1620 FT SO
Description 1	Wide span cable ladder
Description 2	perforated side rail
Manufacturer	OBO
Dimension	160x200x6000
Material	Steel
Surface	Hot-dip galvanised 85 µm
Surface standard	DIN EN ISO 1461
Smallest sales unit	6
Unit of quantity	Metre
Weight	777 kg
Weight unit	kg/100 m

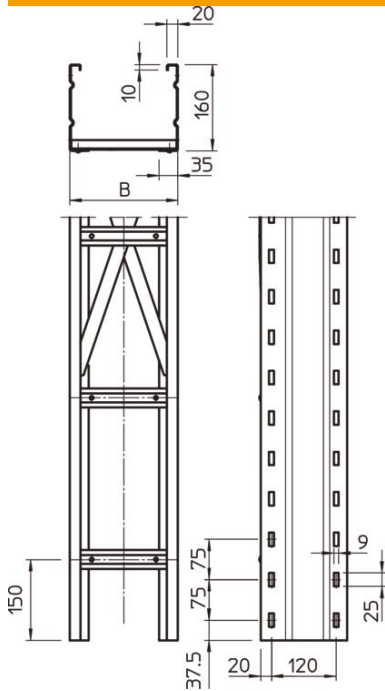
# Technical data sheet

## Wide span cable ladder WKLG 160 FT SOMY

Item number: 7189040



### Dimensions



Length	6,000 mm
Length	6,000 ft
Width	200 mm
Height	160 mm
Dimension B	200 mm
Dimension L	6,000 mm
Rung slot dimension	16.50

### Technical data

Version of the rungs	Profile unperforated
Maintain electrical functions	no
Usable cross-section	282 cm <sup>2</sup>
Usable cross-section	28200 mm <sup>2</sup>
Rustproof steel, pickled	no
Side perforation	yes
Wide-span version	yes
Rail thickness	2 mm

# Technical data sheet

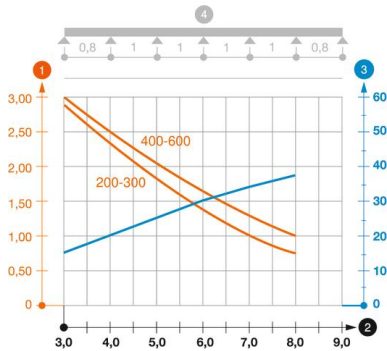
## Wide span cable ladder WKLG 160 FT SOMY

Item number: 7189040



### Loads

Support spacing 5.0 m	1.8 kN/m
Support spacing 6.0 m	1.4 kN/m
Support spacing 7.0 m	1 kN/m
Support spacing 8.0 m	0.7 kN/m



### Load diagram, wide span cable ladder, type WKLG 160

- 1 Permitted cable tray/ladder load in kN/m without man load
- 2 Support width in m
- 3 Rail bend in mm at permitted kN/m
- 4 Load scheme during testing
- Load curve with cable tray/ladder width in mm
- Strut bend curve according to support width