

Technical data sheet

Generator connection box, type 2, with four fuse holders
for 4 x 1 string
Item number: 5088654



System solution for photovoltaic fuses for photovoltaic inverters with 1 MPP tracker

- Error-resistant Y circuit to VDE 0100-712 (50539-12)
- Low DC protection level: < 4.0 kV (Voc max = 1,000 V DC with V20-C/0-500PV)
- Item no.: 5088654: (+) poles protected via 4 photovoltaic fuses 10 x 38 mm (un-equipped), 1,000 V DC protected
- Item no.: 5088640: (+) poles protected via 4 photovoltaic fuses 10 x 38 mm (un-equipped), 900 V DC protected
- 4 (-) poles via terminal up 6 mm² switched in parallel in the housing, up to 30 A DC per terminal
- Pre-mounted in polycarbonate housing (IP65), UV-resistant for use outside, including cable gland kit

For DC protection of the inverter in photovoltaic systems.

If there is a danger of condensation forming through wind, ice, temperature or sunlight, further measures may be necessary!



Master data

Item number	5088654
Type	VG-C PV1000KS4
Description 1	Combiner box
Description 2	PV with 4-string + fuse
Manufacturer	OBO
Dimension	1000V DC
Colour	Light grey; RAL 7035
Smallest sales unit	1
Unit of quantity	Piece
Weight	190 kg
Weight unit	kg/100 pc.

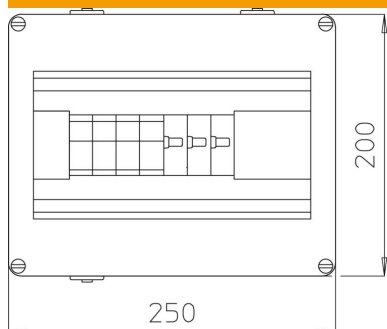
Technical data sheet

Generator connection box, type 2, with four fuse holders
for 4 x 1 string

Item number: 5088654



Dimensions



Width	250 mm
Height	200 mm

Technical data

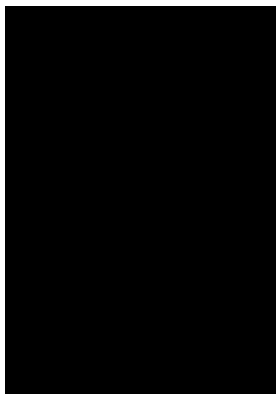
Response time	<25 ns
Number of inputs	4
Type of entry	Gland
Version for	Type 2 in housing with fuse holder (unequipped)
Operating temperature, max.	80 °C
Operating temperature, min.	-40 °C
Remote signalling	no
Housing material surge protection components	PC
Maximum continuous voltage DC	1000
Conductor cross-section, rigid (single-wire/multiwire), max.	6 mm ²
Conductor cross-section, rigid (single-wire/multiwire), min.	0.5 mm ²
Lightning protection zone LPZ	1→2
Maximum discharge current (8/20 µs)	40 kA
Installation type	Pre-mounted in the housing
Nominal discharge current (8/20 µs)	20 kA
Network form	DC
DC network form	yes
IT network form	no
Other network form	no
TN network form	no
TN-C network form	no
TN-C-S network form	no
TN-S network form	no
TT network form	no
Test class, type 1	no
Test class, type 2	yes
Test class, type 3	no
Protection rating	IP65
Protection rating IK code	IK07.
Protection level	≤4,0
Signalling on device	Visual
SPD to EN 61643-11	Type 2
SPD to IEC 61643-1	Class II

Technical data sheet

Generator connection box, type 2, with four fuse holders
for 4 x 1 string
Item number: 5088654



Technical data

	Permitted temperature range, max.	40 °C
	Permitted temperature range, min.	-25 °C
	Depth	122 mm
	Cable type for surge protection devices	Power cable DC (PV)
	Number of cable entries	16
	Max. Input voltage DC	1000 V
	String fuse	1-pole
	Fuse type	gPV (full-range photovoltaic protection) [Bitte prüfen, ob so in Ordnung]
	For fuse size	10x38 mm
	Monitoring function	no
	Max. Input current per string	30 A
	Max. Output current	30 A
	Number of string inputs	4
	Equipped with load-break switch	no
	Entry fuse	10 A
	Anschlussart Generatoranschlusskasten	Tension spring terminal
	Number of MPPTs	1
Entries per MPPT	4	
Exits per MPPT	4	