

Technical data sheet

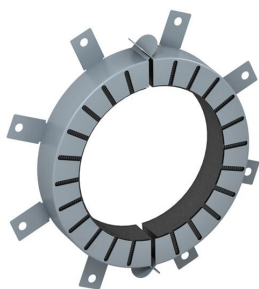
Pipe sleeve with 8 fastening straps

Item number: 7202214



Pipe sleeve for combustible pipes.

If there is a fire, fire protection inserts inside the sheet steel housing expand, exerting a very great pressure onto the burning thermoplastic pipes. For interior application. Fastening with anchors or M8 threaded rods.



Intumescent material

Master data

| | |
|---------------------|-----------------------|
| Item number | 7202214 |
| Type | TCX-200 |
| Description 1 | Pipe sleeve |
| Description 2 | for combustible pipes |
| Manufacturer | OBO |
| Dimension | Ø200mm |
| Colour | Grey |
| Material | Intumescent material |
| Smallest sales unit | 1 |
| Unit of quantity | Piece |
| Weight | 242 kg |
| Weight unit | kg/100 pc. |

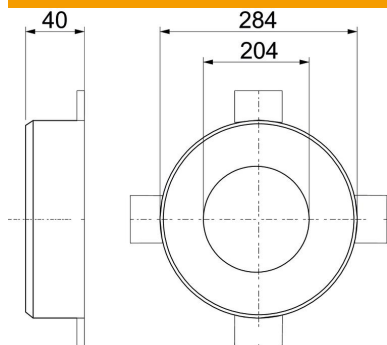
Technical data sheet

Pipe sleeve with 8 fastening straps

Item number: 7202214



Dimensions



| | |
|------------------|--------|
| Length | 284 mm |
| Width | 284 mm |
| Height | 40 mm |
| Dimension d | 204 mm |
| Dimension d min. | 284 mm |
| Dimension h | 40 mm |

Technical data

| | |
|-------------------------|-----------|
| Shape | Round |
| For pipe diameter, max. | 202 mm |
| For pipe diameter, min. | 200 mm |
| Collar lock | Connector |
| With fastening material | no |
| Accessories required | yes |