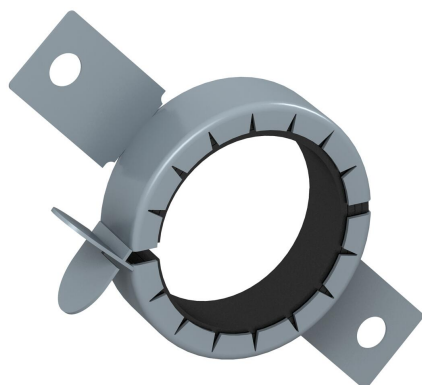


Technical data sheet

Pipe sleeve with 2 fastening straps

Item number: 7202200



Pipe sleeve for combustible pipes.

If there is a fire, fire protection inserts inside the sheet steel housing expand, exerting a very great pressure onto the burning thermoplastic pipes. For interior application. Fastening with anchors or M6 threaded rods.

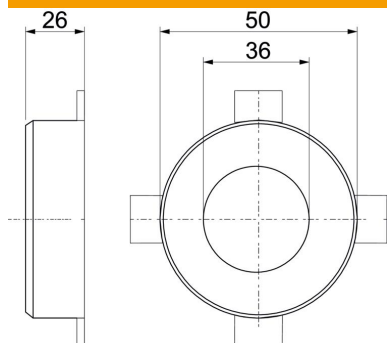


Intumescent material

Master data

Item number	7202200
Type	TCX-032
Description 1	Pipe sleeve
Description 2	for combustible pipes
Manufacturer	OBO
Dimension	Ø32mm
Colour	Grey
Material	Intumescent material
Smallest sales unit	1
Unit of quantity	Piece
Weight	6.5 kg
Weight unit	kg/100 pc.

Dimensions



Length	50 mm
Width	50 mm
Height	26 mm
Dimension d	36 mm
Dimension d min.	50 mm
Dimension h	26 mm

Technical data sheet

Pipe sleeve with 2 fastening straps

Item number: 7202200



Technical data

Shape	Round
For pipe diameter, max.	34 mm
For pipe diameter, min.	32 mm
Collar lock	Connector
With fastening material	no
Accessories required	yes