

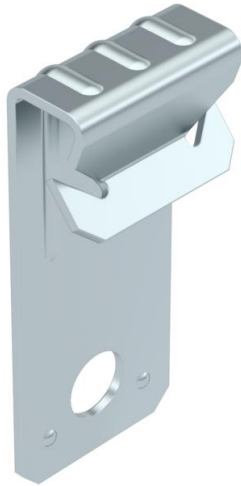
Technical data sheet

Support clamp, with drill hole

Item number: 1488553



Support clamp with drill hole for individual mounting solutions, e.g. to accept S hooks or chains. Fastening through knocking onto steel girders.



- St** Steel
- ZL** Zinc slat

Master data

Item number	1488553
Type	SKL 5-7
Description 1	Beam clamp
Manufacturer	OBO
Dimension	5-7mm
Material	Steel
Surface	Zinc slat
Surface standard	
Smallest sales unit	100
Unit of quantity	Piece
Weight	1.09 kg
Weight unit	kg/100 pc.

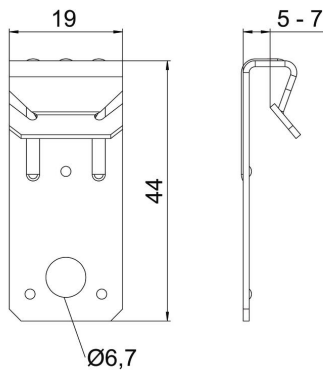
Technical data sheet

Support clamp, with drill hole

Item number: 1488553



Dimensions



Length	43.5 mm
Width	19 mm
Height	10 mm

Technical data

Connection type/component	Hole
Fastening type	Clamp
Flange thickness F max.	7 mm
Flange thickness F min.	5 mm
Hinge, adjustable	no
Hinged	no