

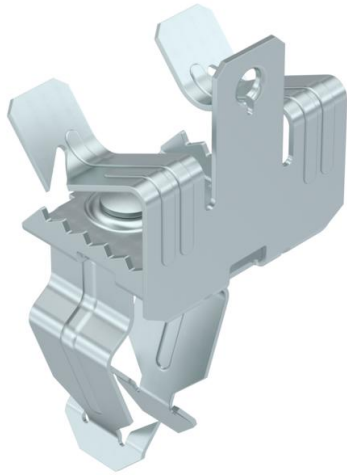
Technical data sheet

Support clamp, with pipe seat at bottom

Item number: 1488405



Support clamp for mounting pipes. Open pipe seat at bottom. Fastening through knocking onto steel girders.



CE

St Steel

ZL Zinc slat

Master data

Item number	1488405
Type	SCVPO 14-20 D32
Description 1	Beam clamp
Description 2	with bottom pipe clamp 32 mm
Manufacturer	OBO
Dimension	14-20mm
Material	Steel
Surface	Zinc slat
Surface standard	
Smallest sales unit	50
Unit of quantity	Piece
Weight	4.3 kg
Weight unit	kg/100 pc.

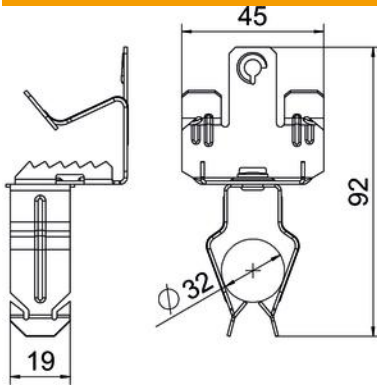
Technical data sheet

Support clamp, with pipe seat at bottom

Item number: 1488405



Dimensions



Length	92 mm
Width	45 mm
Height	39 mm
Dimension L	92 mm
Maß W	45 mm

Technical data

Connection type/component	Pipe/cable
Fastening type	Clamp
Flange thickness F max.	20 mm
Flange thickness F min.	14 mm
Pipe/cable diameter, max.	35 mm
Pipe/cable diameter, min.	30 mm
Hinge, adjustable	no
Hinged	no