

Technical data sheet

Adapter stabiliser for ISST70140

Item number: 6290160



Adapter stabiliser for additional stiffening of the twin profiles. Suitable for mounting on the service poles of type ISST70140 and ISST70140B.



St Steel

FSK Strip galvanized / plastic coated

Master data

Item number	6290160
Type	ISSZ70140
Description 1	Adapter stabiliser
Manufacturer	OBO
Dimension	104x64x2
Colour	Pure white; RAL 9010
Material	Steel
Surface	Strip galvanized / plastic coated
Surface standard	DIN EN 10346
Smallest sales unit	1
Unit of quantity	Piece
Weight	8 kg
Weight unit	kg/100 pc.

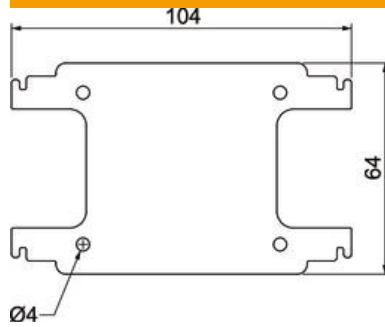
Technical data sheet

Adapter stabiliser for ISST70140

Item number: 6290160



Dimensions



Length	104 mm
Width	64 mm
Height	2 mm

Technical data

Type of accessory	Adapter stabiliser
Halogen-free	yes